

Supports, plates and boxes for Mosaic™

Mosaic™ Programme workstation kits

flush-mounting or surface-mounting

	UNIVERSAL SUPPORTS	OTHER SUPPORTS ITALIAN STANDARD	MOSAIC PLATES (IP 44, see p. 806)	SURFACE MOUNTING BOXES	DRY PARTITIONS		MASONRY				MULTI-MATERIALS	
					Standard	Depth (mm)	Cat. Nos	Batibox	Depth (mm)	Cat. Nos	Batibox	Universal boxes
1 module	0 802 50		0 788 01 0 790 01		40	0 800 40	40	0 801 40	(without screws)	0 313 01		
2 modules	0 802 51 0 802 60 (illuminated) 0 802 62 (indicator) 0 802 61/69 (clip-mounting)		0 788 02 0 790 02	30 40	0 802 80 0 802 81	40 50 60	0 800 41 0 800 51 0 800 61	40 50 40	0 801 41 0 801 51 without screws 0 801 08		50	0 892 39
3 modules	0 802 59 (with claws)	0 802 13	0 788 03 0 790 03	40	0 802 89	40	0 800 49	40	0 801 49			
4 modules		0 802 14	0 788 14 0 790 14								50	0 892 49
5 modules	0 802 58 (illuminated)		0 788 15 0 790 15	40	0 802 85							
2 x 2 modules			0 788 04 0 790 04			40	0 800 42 0 800 52	40 50	2 x 0 801 41 2 x 0 801 51	40	2 x 0 313 01	
5 modules	0 802 52		0 788 25 0 790 25			40	0 802 82					
2 x 2 modules	0 802 57 (illuminated)		0 788 22 0 790 22							40	2 x 0 313 01	
6 modules		0 802 16	0 788 16 0 790 16								50	0 892 50
8 modules			0 788 18 0 790 18	40	0 802 86							
3 x 2 modules	0 802 53		0 788 06 0 790 06			40 50	0 800 43 0 800 53	40 50	3 x 0 801 41 3 x 0 801 51	40	3 x 0 313 01	
3 x 2 modules			0 788 23 0 790 23	40	0 802 83					40	3 x 0 313 01	
10 modules			0 788 10 0 790 10			40	0 800 44 0 800 54	40 50	4 x 0 801 41 4 x 0 801 51	40	4 x 0 313 01	
4 x 2 modules	0 802 54		0 788 08 0 790 08									
2 x 5 modules			0 788 30 0 790 30			50	0 802 74				50	0 801 24
2 x 2 x 2 modules	0 802 64		0 788 38 0 790 38									
2 x 6 modules			0 788 36 0 790 36									
2 x 8 modules	0 802 66		0 788 37 0 790 37	50	0 802 76						50	0 801 26
3 x 2 x 2 modules			0 788 32 0 790 32									
2 x 10 modules	0 802 68		0 788 28 0 790 28	46	0 802 78						50	0 801 28



Ready-to-use kits to be equipped with low current and high current Mosaic™ Programme sockets (p. 792 to 800)  
Halogen free

Pack	Cat. Nos	Flush-mounting workstation kits
		To be installed with flush-mounting conduits Equipped with: - multi-materials flush-mounting box, depth 50 mm, with adjustable cable entries Ø 20 and 25 mm - 4-module independent supports for tool-less installation of Mosaic Programme mechanisms (2 optional screws supplied) - removable spacer for integration of 1-module mechanisms - separation partition for high currents and low currents
1	0 788 72	<b>For 2 x 4 modules</b> White
1	0 790 72	Alu
1	0 788 73	<b>For 3 x 4 modules</b> White
1	0 790 73	Alu
1	0 788 74	<b>For 4 x 4 modules</b> White
1	0 790 74	Alu
		<b>Surface-mounting workstation kits</b> To be installed with flush or surface-mounting conduits (mini-trunking or trunking) Equipped with: - surface-mounting frames with removable entries (top/bottom and sides), pre-cut for 40 x 20 mini-trunking - 4-module individual supports for tool-less installation of Mosaic Programme mechanisms (2 optional screws supplied) - removable spacer for integration of 1-gang mechanisms - separation partition for high currents and low currents
1	0 788 82	<b>For 2 x 4 modules</b> White
1	0 790 82	Alu
1	0 788 83	<b>For 3 x 4 modules</b> White
1	0 790 83	Alu
1	0 788 84	<b>For 4 x 4 modules</b> White
1	0 790 84	Alu
		<b>Accessories for installation of modular devices</b>
5	0 801 29	Din-rail type for 2-module modular device 17.5 mm
1	0 788 40	Cover plate for 2-module modular device 17.5 mm With removable transparent protection cap, 4 modules

# Mosaic™ Programme plates



Selection chart for boxes, supports and plates **p. 804-805**

Pack	Cat.Nos	Plates
10 5	0 788 01 0 790 01	<b>For 1 module</b> ○ White - Clips onto support Cat.No 0 802 50 ● Alu - Clips onto support Cat.No 0 802 50
10 5	0 788 11 0 790 11	○ White - 80 x 80 mm. Clips onto supports Cat.Nos 0 802 51/60/61/62/69 ● Alu - 80 x 80 mm. Clips onto supports Cat.Nos 0 802 51/60/61/62/69
10 10 10 5	0 788 02 0 790 02 0 787 22 0 788 80	<b>For 2 modules</b> Clips onto supports Cat.Nos 0 802 51/60/61/62/69 ○ White ● Alu ○ White antimicrobial ○ White antibacterial. IP44 weatherproof Equipped with a membrane which can receive Mosaic™ Programme control and connection functions (cannot be mounted on surface-mounting boxes)
10 5	0 788 03 0 790 03	<b>For 3 modules</b> Clips onto support Cat.No 0 802 59 ○ White ● Alu
10 5 10	0 788 14 0 790 14 0 787 24	<b>For 4 horizontal modules</b> Clips onto supports Cat.Nos 0 802 52/58 ○ White ● Alu ○ White antimicrobial
10 5	0 788 15 0 790 15	<b>For 5 horizontal modules</b> Clips onto supports Cat.Nos 0 802 52/58 ○ White ● Alu
10 5	0 788 25 0 790 25	<b>For 5 vertical modules</b> Clips onto supports Cat.Nos 0 802 52/57 ○ White ● Alu
10 5 10	0 788 04 0 790 04 0 787 25	<b>For 2 x 2 horizontal modules</b> Clips onto supports Cat.Nos 0 802 52/57 or 2 x 802 51 ○ White ● Alu ○ White antimicrobial

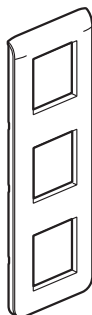
Pack	Cat.Nos	Plates (continued)
10 5 10	0 788 22 0 790 22 0 787 23	<b>For 2 x 2 vertical modules</b> Clips onto supports Cat.Nos 0 802 52/57 or 2 x 0 802 51 ○ White ● Alu ○ White antimicrobial
10 5 10	0 788 16 0 790 16 0 787 26	<b>For 6 horizontal modules</b> Clips onto support Cat.No 0 802 53 ○ White ● Alu ○ White antimicrobial
10 5	0 788 18 0 790 18	<b>For 8 horizontal modules</b> Clips onto support Cat.Nos 0 802 53 or 3 x 0 802 51 ○ White ● Alu
10 5	0 788 06 0 790 06	<b>For 3 x 2 horizontal modules</b> Clips onto support Cat.Nos 0 802 53 or 3 x 0 802 51 ○ White ● Alu
10 5	0 788 23 0 790 23	<b>For 3 x 2 vertical modules</b> Clips onto support Cat.Nos 0 802 53 or 3 x 0 802 51 ○ White ● Alu
2 1	0 788 10 0 790 10	<b>For 10 vertical modules</b> Clips onto supports Cat.No 0 802 54 ○ White ● Alu

## Mosaic™ plates

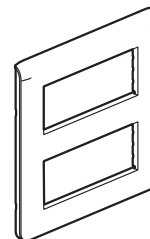
Cat. No(s) : 788 01/02/03/04/06/08/10/14/15/16/18/22/23  
788 25/30/32/36/37/38/39/42/43/44  
790 01/02/03/04/06/08/10/14/15/16/18/22/23  
790 25/30/32/36/37/38/39/42/43/44



788 02  
790 02



788 23  
790 23



788 30  
790 30

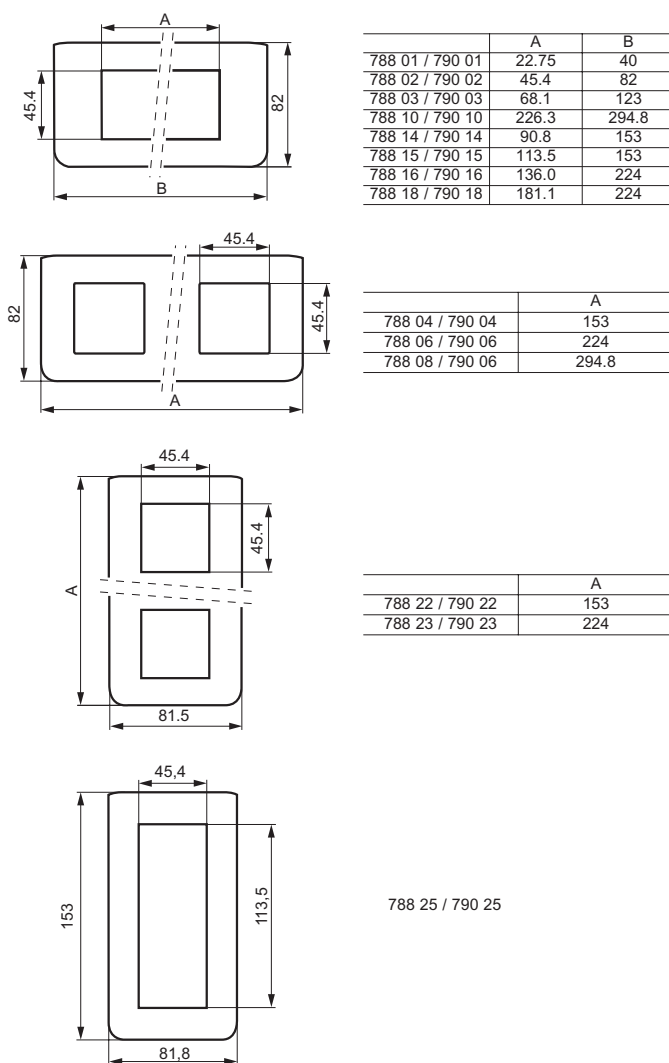
### 1. USE

Plates for covering mechanisms with 1 to 2 x 8 modules.

### 2. RANGE

	Designation	Finishing		No. of modules	Fixing method	Weight (g)	
		white plastic material	Aluminium			white plastic material	Aluminium
	1-module plate 1/2 gang	788 01	790 01	1	with clips	9.84	29.75
	2-module plate	788 02	790 02	2	with clips	17.64	60.65
	3-module plate	788 03	790 03	3	with clips	26.58	82.52
	3 x 2-module plate horizontal	788 04	790 04	4	with clips	32.13	103.41
	3 x 2-module plate horizontal	788 06	790 06	6	with clips	46,02	145,92
	4 x 2-module plate horizontal	788 08	790 08	8	with clips	60.65	197.25
	10-module plate horizontal	788 10	790 10	10	with clips	53.14	169.83
	4-module plate horizontal	788 14	790 14	4	with clips	32.81	109.48
	5-module plate horizontal	788 15	790 15	5	with clips	28.45	93.11
	6-module plate horizontal	788 16	790 16	6	with clips	45.24	150.17
	8-module plate horizontal	788 18	790 18	8	with clips	39.08	133.47
	2 x 2-module plate vertical	788 22	790 22	4	with clips	32.32	103.71
	3 x 2-module plate vertical	788 23	790 23	6	with clips	46.43	151.57
	5-module plate vertical	788 25	790 25	5	with clips	27.92	93.07
	2 x 5-module plate	788 30	790 30	10	with clips	70,55	198,33
	2 x 3 x 2-module plate	788 32	790 32	12	with clips	110.1	341.11
	2 x 6-module plate	788 36	790 36	12	with clips	91.94	317.83
	2 x 8-module plate	788 37	790 37	16	with clips	107.8	267.46
	2 x 2 x 2-module plate	788 38	790 38	8	with clips	76.96	235.64
	Large-window plate	788 39	790 39		with clips	61.3	169.54

### 3. OVERALL DIMENSIONS



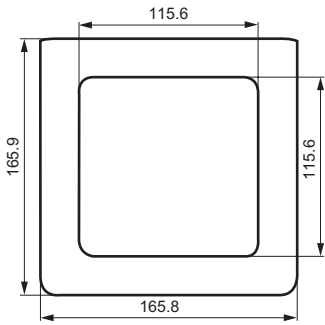
	A	B
788 01 / 790 01	22.75	40
788 02 / 790 02	45.4	82
788 03 / 790 03	68.1	123
788 10 / 790 10	226.3	294.8
788 14 / 790 14	90.8	153
788 15 / 790 15	113.5	153
788 16 / 790 16	136.0	224
788 18 / 790 18	181.1	224

	A
788 04 / 790 04	153
788 06 / 790 06	224
788 08 / 790 06	294.8

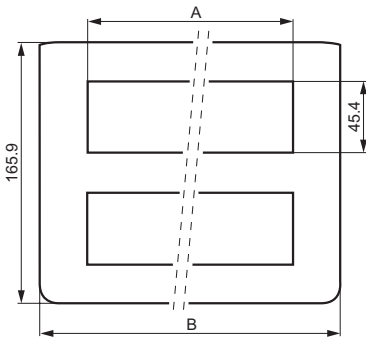
	A
788 22 / 790 22	153
788 23 / 790 23	224

788 25 / 790 25

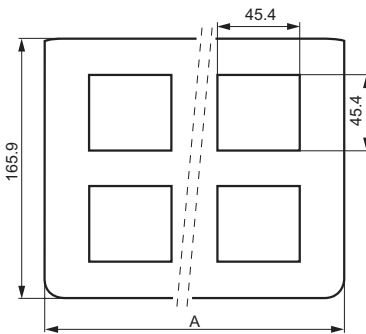
### 3. OVERALL DIMENSIONS (continued)



788 39 / 790 39



	A	B
788 30 / 790 30	113.5	165.8
788 36 / 790 36	136.2	236.8
788 37 / 790 37	181.6	236.8



	A
788 32 / 790 32	236.8
788 38 / 790 38	165.8

### 4. MOUNTING

The plates clip on in notches onto screw-type or claw-type mounting supports (notches are used for thickness compensation. E.g. : wall carpet). Easy to remove with a screwdriver.

### 5. TECHNICAL CHARACTERISTICS

#### 5.1 Mechanical characteristics

Impact tests : IK04

#### 5.2 Material characteristics

Plates : Plastics : ABS + Polycarbonate (RAL 9003)  
 Aluminium : Zamac + Polycarbonate

Multi-row plates : Polycarbonate (RAL 9003)  
 Aluminium : Zamac + Polycarbonate  
 Cat.Nos 790 30/32/36/37/38

Self-extinguishing : 650°C / 30 s  
 850°C / 30 s for multi-row plates  
 Cat.Nos 790 30/32/36/37/38 - 788 30/32/36/37/38

### 5.3 Climatic characteristics

Storage temperatures : - 10°C to + 70°C  
 Operating temperatures : - 5°C to + 50°C

### 6. CLEANING

Surface cleaning with a cloth.  
 Do not use : acetone, tar remover, trichloroethylene.

#### 6.1 Resistance to cleaning agents

Resistance to the following agents : Hexane (EN 60669-1), Methylated spirits, Soapy water, Diluted ammonia, Pure bleach diluted 10%, Glass cleaning substance, Pre-impregnated wipes.

#### 6.2 Resistance to hospital-type cleaning agents

Resistance to the following agents : Anios, Surfanios, Bactily sine, Diluted hydrogen peroxide (35%).

#### Caution :

A preliminary test should be carried out if other specific cleaning products are to be used.

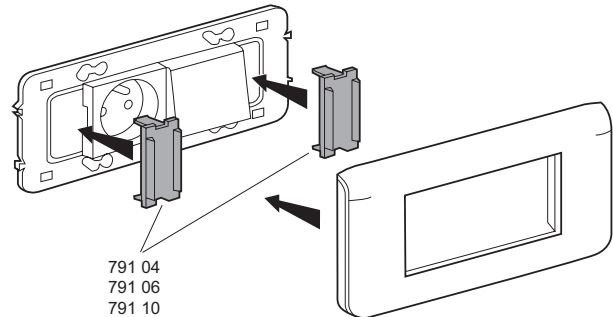
### 7. SPECIAL USE

Mosaic plates must not be painted.

### 8. ACCESSORIES

For 4, 6 and 10-module plates, use blanking plates.

	Blanking plates
4-module plates	791 04
6-module plates	791 06
10-module plates	791 10



Self-adhesive label holders for plates with 2 or more modules.

Cat. No. 791 51 : Curved label holder

Cat. No. 791 52 : Flat label holder