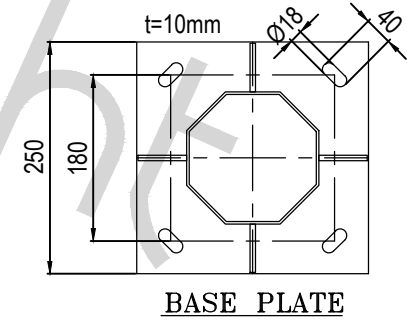
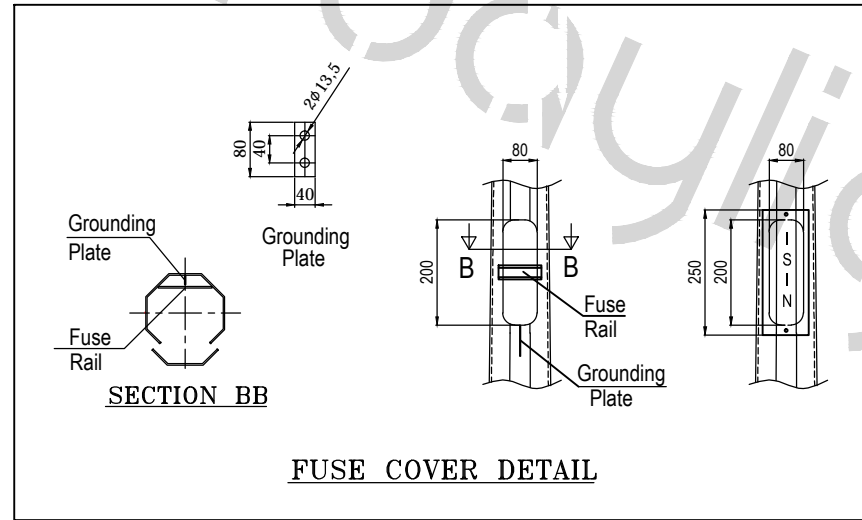
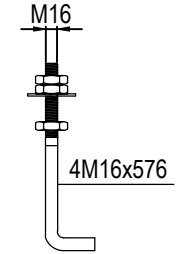



TECHNICAL SPECIFICATION

- 1- Unless otherwise specified, all dimensions are in mm.
- 2- Columns are manufactured in compliance to EN40
- 3- Materials;
 - 3.1 For shaft EN 10025 Steel grade is S235 JR
 - 3.2 Anchor bolts grade 1040
 - 3.3 Spigot pipes ST 37
 - 3.4 All screws, nuts, bolts steel grade ISO 4016
- 4- Hot dip galvanization as per ENISO 1461/ASTM A123



PROJECT NAME		7m Octagonal Lighting Pole - AD0 70/0		
	<small>Sarıy Mah. Fatih Sultan Mehmet Blv. No:365 Kazan - Ankara / TÜRKİYE Tel : (0 312) 815 46 67 (pbx) Fax : (0 312) 815 54 84 e-mail : pazariama@isinaydinlatma.com.tr web : www.isinaydinlatma.com.tr</small>	DRAWN BY	CONTROL	APPROVE
		DATE	DRAWING NO	REVISION
		TKLF-020-039-D	00	NTS